

FLUSH-MOUNT ROUND SPEAKER

MODELS:
AS-3N
SP-3NA

(Sub station for AP-M, MP-S)

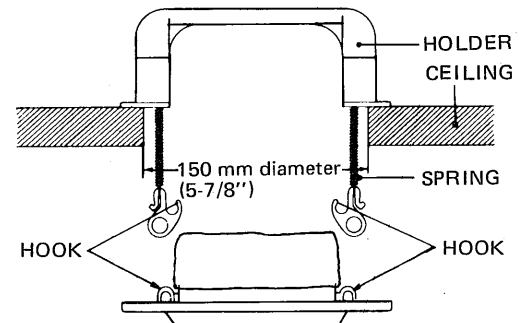
(Paging speaker)

INSTALLATION MANUAL

1 INSTALLATION

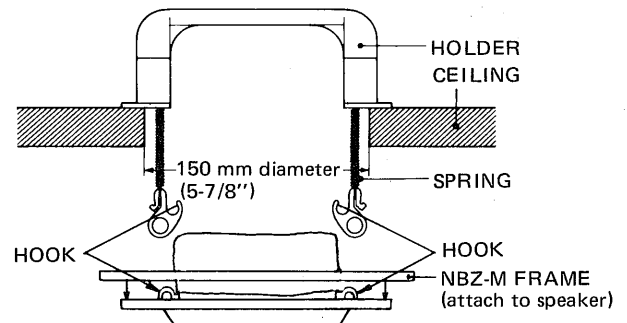
* Flush-mounting to ceiling;

1. Open a hole of 150 mm ϕ (5-7/8" ϕ) in the ceiling.
2. Hook the speaker at one side to a spring of holder, and connect wires.
3. Hook the other side of the speaker, by pulling spring, and locate the speaker in the center of the hole.



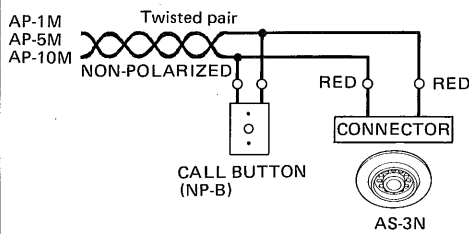
* Flush-mounting to ceiling, using NBZ-M square frame;

1. Open a hole of 150 mm ϕ (5-7/8" ϕ) in the ceiling.
2. Attach the square frame to the speaker from the back.
3. Hook the speaker at one side to a spring of holder, and connect wires.
4. Hook the other side of the speaker, by pulling spring, and locate the speaker in the center of the hole.

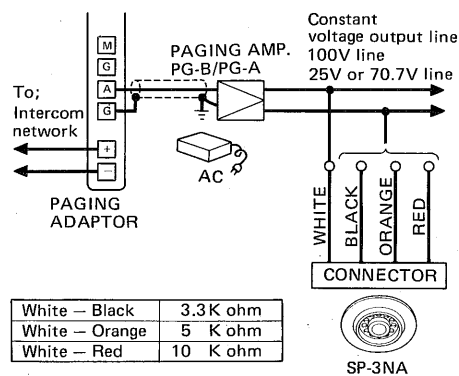


2 WIRING

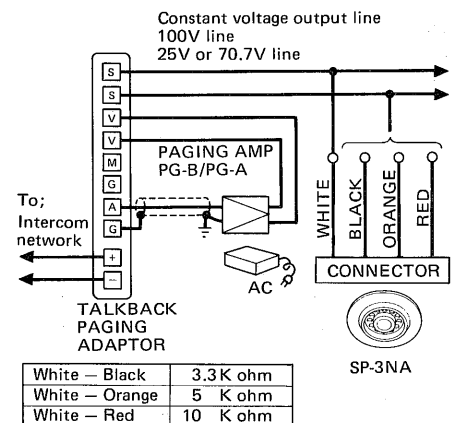
(1) AS-3N sub station for AP-M (or MP-S) system;



(2) SP-3NA speaker for Aiphone intercom system with paging;



(3) SP-3NA speaker for Aiphone intercom system with talkback paging;


IMPEDANCE MATCHING TABLE;

MODEL	RATED INPUT POWER	IMPEDANCE	SPEAKER INPUT	
			100V line	70.7 V line
SP-3NA	3W	10 K ohm (WHITE - RED)	1W	0.5W
		5 K ohm (WHITE - ORANGE)	2W	1 W
		3.3 K ohm (WHITE - BLACK)	3W	1.5W